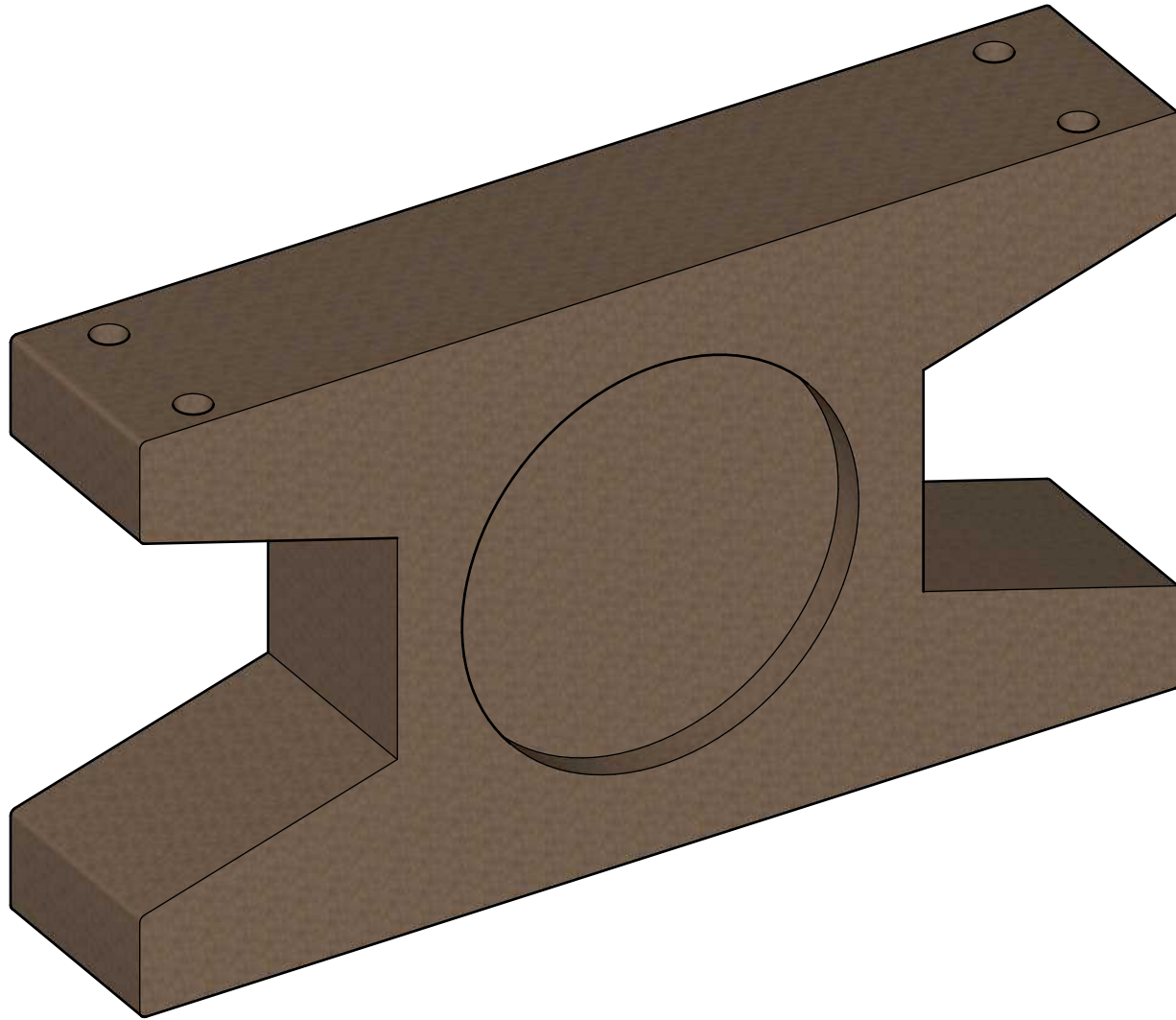

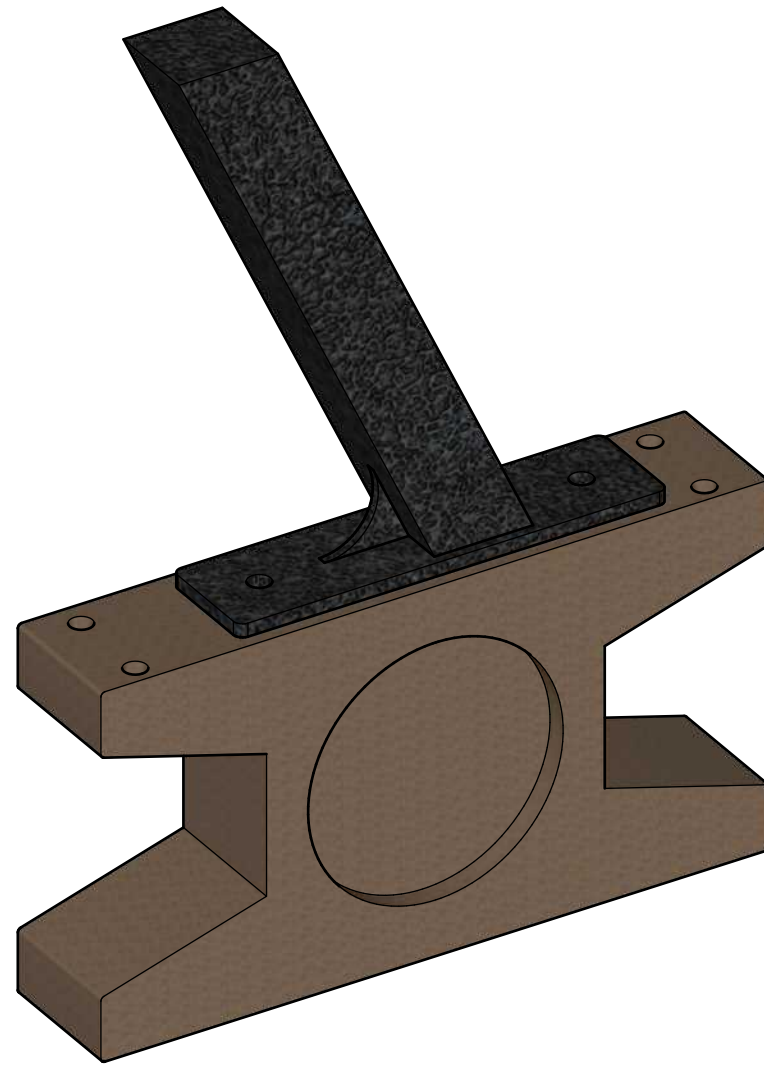

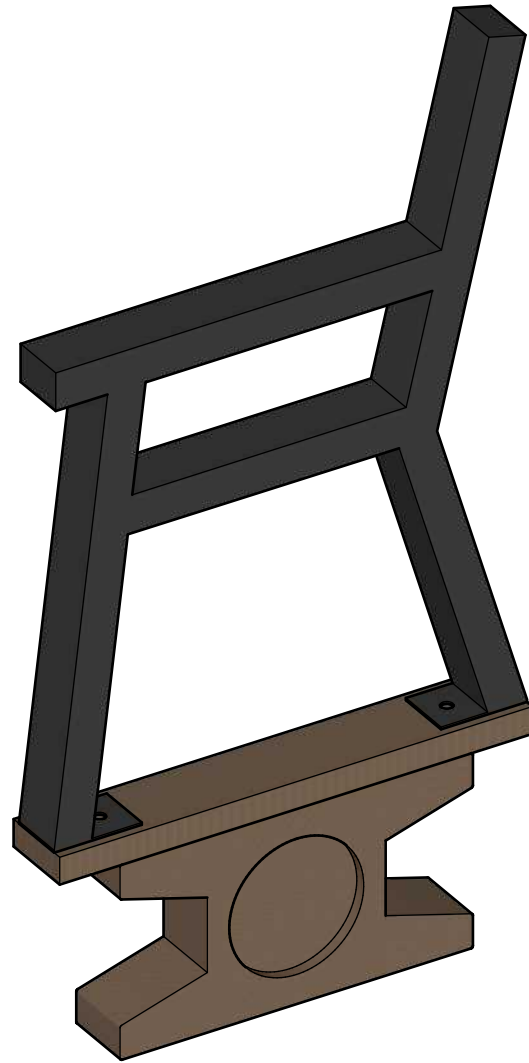
	<b>WISHBONE SITE FURNISHINGS</b> 210-27090 GLOUCESTER WAY LANGLEY, BC			
	<b>DWG. TITLE:</b> BASE GROUND ANCHOR <b>REVISION:</b> 11/03/21 R:00			
<b>MATERIAL:</b> RECYCLED PLASTIC	<b>DWG. NO.</b> DWSGSP11032100	<b>DRAWN BY:</b> GARY PARMAR		
<b>PATTERN NO.</b> N/A	<b>MODEL NO.</b> HBGA-C	<b>SCALE:</b> 1:8	<b>SHEET:</b> 1 OF 4	<b>DATE:</b> 11 MAR 21




	<b>WISHBONE SITE FURNISHINGS</b> 210-27090 GLOUCESTER WAY LANGLEY, BC			
	<b>DWG. TITLE:</b> BASE GROUND ANCHOR <b>REVISION:</b> 11/03/21 R:00			
<b>MATERIAL:</b> RECYCLED PLASTIC	<b>DWG. NO.</b> DWSGSP11032100	<b>DRAWN BY:</b> GARY PARMAR		
<b>PATTERN NO.</b> N/A	<b>MODEL NO.</b> HBGA-C	<b>SCALE:</b> AS SHOWN	<b>SHEET:</b> 2 OF 4	<b>DATE:</b> 11 MAR 21



	<b>WISHBONE SITE FURNISHINGS</b> 210-27090 GLOUCESTER WAY LANGLEY, BC			
	<b>DWG. TITLE:</b> BASE GROUND ANCHOR <b>REVISION:</b> 11/03/21 R:00			
<b>MATERIAL:</b> RECYCLED PLASTIC	<b>DWG. NO.</b> DWSGSP11032100	<b>DRAWN BY:</b> GARY PARMAR		
<b>PATTERN NO.</b> N/A	<b>MODEL NO.</b> HBGA-C	<b>SCALE:</b> AS SHOWN	<b>SHEET:</b> 3 OF 4	<b>DATE:</b> 11 MAR 21



	<b>WISHBONE SITE FURNISHINGS</b> 210-27090 GLOUCESTER WAY LANGLEY, BC			
	<b>DWG. TITLE:</b> BASE GROUND ANCHOR <b>REVISION:</b> 11/03/21 R:00			
<b>MATERIAL:</b> RECYCLED PLASTIC	<b>DWG. NO.</b> DWSGSP11032100	<b>DRAWN BY:</b> GARY PARMAR		
<b>PATTERN NO.</b> N/A	<b>MODEL NO.</b> HBGA-C	<b>SCALE:</b> AS SHOWN	<b>SHEET:</b> 4 OF 4	<b>DATE:</b> 11 MAR 21